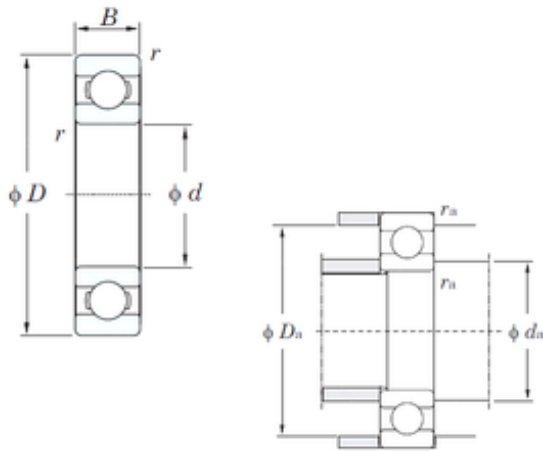




China abec 9 Bearing Supplier



SKF 6312 Zz Ball Bearings (6300 6301 6302 6303
6304 6305 6306 6307 6308 zz 2RS C3) NSK NTN
Koyo

Bearing No. 6312

6312 Bearing 2D drawings and 3D CAD models

Size	60x130x31 mm
Bore Diameter	60 mm
Outer Diameter	130 mm
Width	31 mm
d	60 mm
D	130 mm
B	31 mm
C	31 mm
r min.	2,1 mm
da min.	71 mm
Da max.	119 mm
ra max.	2 mm
Weight	1,7 Kg
Basic dynamic load rating (C)	81,9 kN
Basic static load rating (C0)	52,2 kN
(Grease) Lubrication Speed	5200 r/min
(Oil) Lubrication Speed	6200 r/min
Category	Single Row Ball Bearings
Inventory	0.0
Manufacturer Name	KOYO
Minimum Buy Quantity	N/A
Weight / Kilogram	1.841
Product Group	B00308
Enclosure	Open



China abec 9 Bearing Supplier

Precision Class	ABEC 1 ISO P0
Maximum Capacity / Filling Slot	No
Rolling Element	Ball Bearing
Snap Ring	No
Internal Special Features	No
Cage Material	Steel
Internal Clearance	C0-Medium
Inch - Metric	Metric
Long Description	60MM Bore; 130MM Outside Diameter; 31MM Outer Race Diameter; Open; Ball Bearing; ABEC 1 ISO P0; No Filling Slot; No Snap Ring; No Internal Special Features
Category	Single Row Ball Bearing
UNSPSC	31171504
Harmonized Tariff Code	8482.10.50.68
Noun	Bearing
Keyword String	Ball
Manufacturer URL	http://www.koyousa.com
Manufacturer Item Number	6312
Weight / LBS	4.055
Outside Diameter	5.118 Inch 130 Millimeter
Outer Race Width	1.22 Inch 31 Millimeter
Bore	2.362 Inch 60 Millimeter
Bearing No.	6312
r(min)	2.1
Cr	102
C0r	52.2
Cu	3.95
f0	13.2
Grease lub.	5200



China abec 9 Bearing Supplier

Oil lub.	6200
da(min)	71
Da(max)	119
ra(max)	2
(Refer.)Mass(kg)	1.70